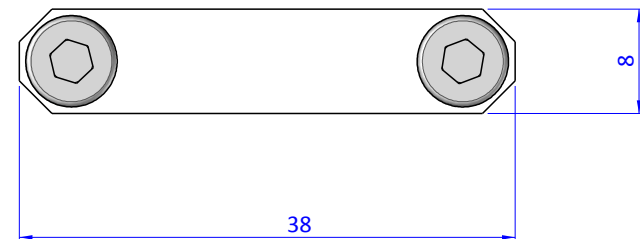
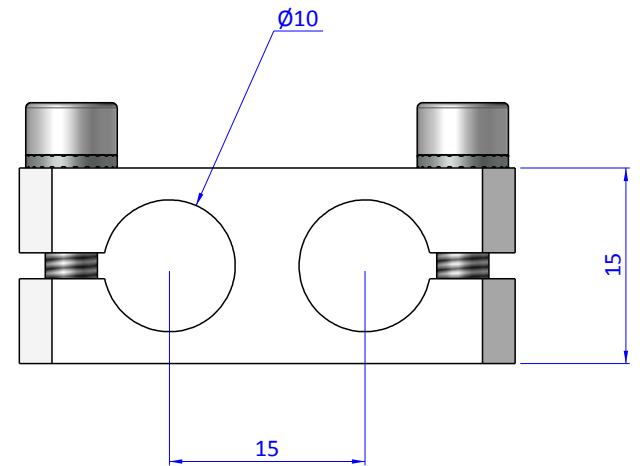
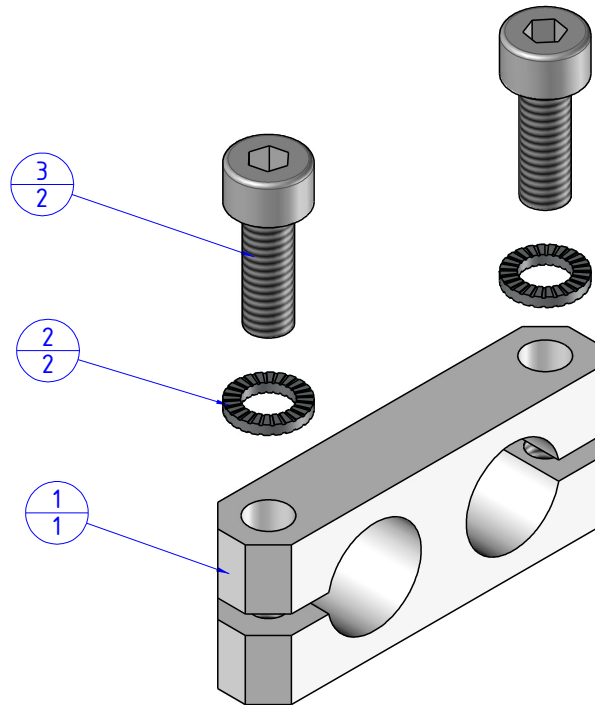


THE PROPERTY OF THE DRAWING IS ESTABLISHED BY LAW. IT IS FORBIDDEN TO PRODUCE OR SHOW IT TO THIRD PARTY, WITHOUT A WRITTEN AGREEMENT.

Item	Name	Q.ty
1	PKS.1010.15	1
2	R.4.SCH	2
3	V.TCE4x12	2



Format A3

UNI 936-76

<b>FP SERVICES</b> AUTOMATION		DESIGNED FROM FPSERVICES		REVIEW A
GENERAL TOLERANCE UNI - ISO 2768 CLASSE f		DATE 06/02/2019	WEIGHT 0,011kg	
DESCRIPTION CA.PKS.1010.15		CODE CA.PKS.1010.15		